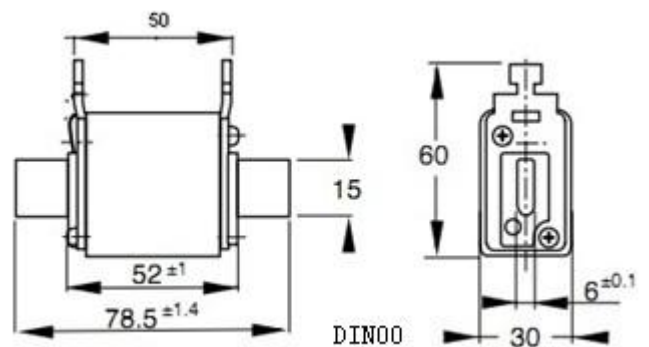
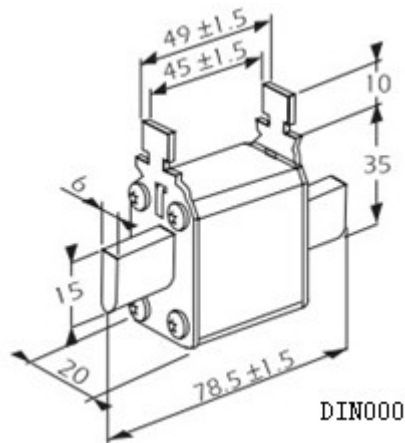


DIN 43 620 Full Range (gR)全范围保护 Voltage电压等级: 440VDC 电流范围: from 16A to 160A

Size 瓷管 代号	Catalog Numbers 订货号	Designation Type 型号规格	Ampere 电流 (A)	Voltage 电压 DC (V)	Watts Loss (W)功耗		熔断 $I^2t(A^2S)$	
					0.8I <sub>n</sub>	I <sub>n</sub>	Pre-arcing 弧前 I <sup>2</sup> t-value	Total 熔断 I <sup>2</sup> t-value
DIN000	109PV2001	KHD000-16A/440VDCDIN000gR63KA	16A	440VDC	2.8	5.6	8.2	60
	109PV2002	KHD000-20A/440VDCDIN000gR63KA	20A	440VDC	3.8	7	12	80
	109PV2003	KHD000-25A/440VDC DIN000gR63KA	25A	440VDC	5.0	9	20	150
	109PV2004	KHD000-32A/440VDCDIN000gR63KA	32A	440VDC	5.5	10	39	270
	109PV2005	KHD000-40A/440VDCDIN000gR63KA	40A	440VDC	6.6	12	70	460
	109PV2006	KHD000-50A/440VDCDIN000gR63KA	50A	440VDC	7.7	14	102	730
	109PV2007	KHD000-63A/440VDCDIN000gR63KA	63A	440VDC	8.8	16	210	1500
	109PV2008	KHD000-80A/440VDCDIN000gR63KA	80A	440VDC	9.9	18	475	2900
	109PV2009	KHD000-100A/440VDCDIN000gR63KA	100A	440VDC	11	20	970	6000
	109PV2010	KHD000-125A/440VDC DIN000gR63KA	125A	440VDC	11.6	21	1900	11800
DIN00	109PV3001	KHD00-16A/440VDC DIN00gR63KA	16A	440VDC	2.7	5	8	61
	109PV3002	KHD00-20A/440VDC DIN00gR63KA	20A	440VDC	3.3	6	12	86
	109PV3003	KHD00-25A/440VDC DIN00gR63KA	25A	440VDC	4.4	8	18	140
	109PV3004	KHD00-32A/440VDC DIN00gR63KA	32A	440VDC	6.0	11	39	250
	109PV3005	KHD00-40A/440VDC DIN00gR63KA	40A	440VDC	7.1	13	68	450
	109PV3006	KHD00-50A/440VDC DIN00gR63KA	50A	440VDC	8.8	16	116	750
	109PV3007	KHD00-63A/440VDC DIN00gR63KA	63A	440VDC	9.9	18	210	1400
	109PV3008	KHD00-80A/440VDC DIN00gR63KA	80A	440VDC	10.5	19	525	3000
	109PV3009	KHD00-100A/440VDC DIN00gR63KA	100A	440VDC	10.7	19.5	970	5400
	109PV3010	KHD00-125A/440VDC DIN00gR63KA	125A	440VDC	13.2	24	1110	9600
	109PV3011	KHD00-160A/440VDC DIN00gR63KA	160A	440VDC	13.7	25	4270	22400

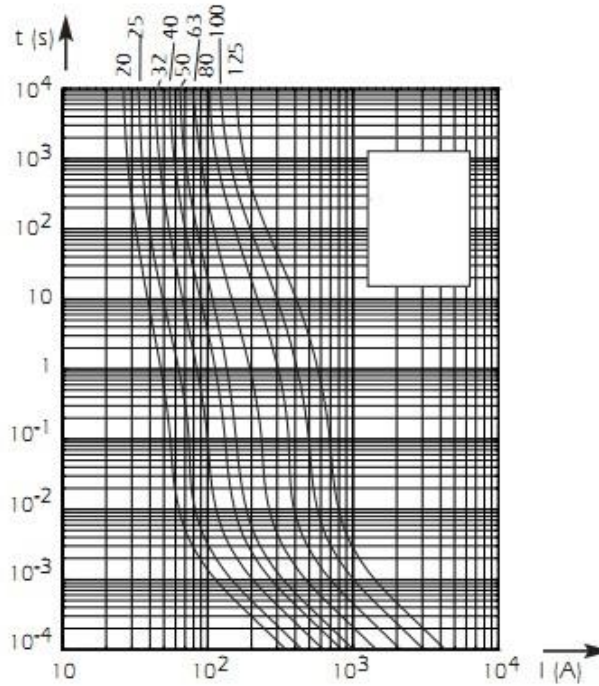
Breaking Capacity分断能力 (KA) @ 440 VDC=63KA L/R = 15 ms

Dimensions安装尺寸图 (mm) :

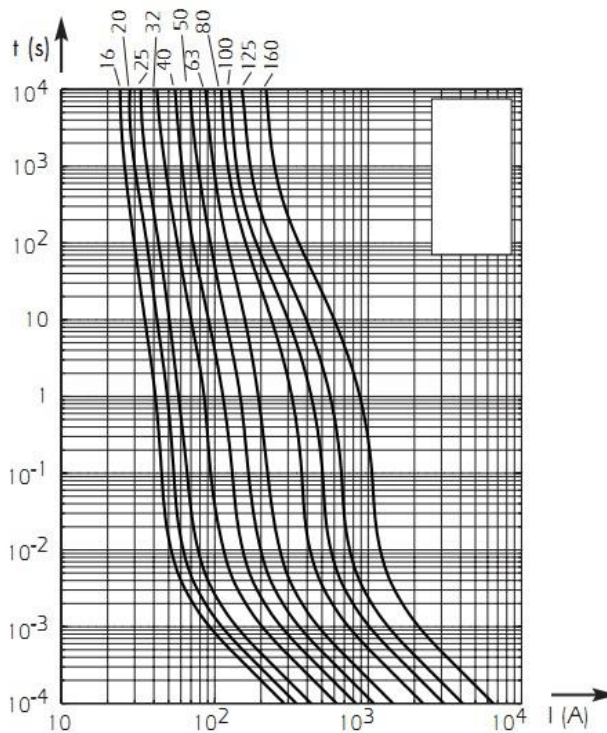


DIN 43 620 Full Range (gR)全范围保护 Voltage电压等级: 440VDC 电流范围: from 16A to 160A

Time vs. current characteristics 电流特性曲线:



Above: Curves indicate, for each rated current, pre-arcing time vs. R.M.S. pre-arcing current.



Above: Curves indicate, for each rated current, pre-arcing time vs. R.M.S. pre-arcing current.

DIN 43 620 Full Range (gR)全范围保护 Voltage电压等级: 700VDC 电流范围: from 16A to 1600A

Size 瓷管 代号	Catalog Numbers 订货号	Designation Type 型号规格	Ampere 电流 (A)	Voltage 电压 DC (V)	Watts Loss (W)功耗		熔断I <sup>2</sup> t(A <sup>2</sup> S)	
					0.8In	In	Pre-arcing 弧前 I <sup>2</sup> t-value	Total 熔断 I <sup>2</sup> t-value
DINO	109PV4030	KHD0-16A/700VDCDIN0gR63KA	16A	700VDC	3.5	6.1	10	140
	109PV4031	KHD0-20A/700VDCDIN0gR63KA	20A	700VDC	4.0	7.2	17	185
	109PV4032	KHD0-25A/700VDCDIN0gR63KA	25A	700VDC	4.76	8.6	20	305
	109PV4033	KHD0-32A/700VDCDIN0gR63KA	32A	700VDC	5.6	10	67	460
	109PV4034	KHD0-35A/700VDCDIN0gR63KA	35A	700VDC	6.05	11	82	650
	109PV4035	KHD0-40A/700VDCDIN0gR63KA	40A	700VDC	6.6	12	90	800
	109PV4036	KHD0-50A/700VDCDIN0gR63KA	50A	700VDC	8.5	15	190	1400
	109PV4037	KHD0-63A/700VDCDIN0gR63KA	63A	700VDC	8.9	18	330	2600
	109PV4038	KHD0-80A/700VDCDIN0gR63KA	80A	700VDC	11.6	21	510	4200
	109PV4039	KHD0-100A/700VDCDIN0gR63KA	100A	700VDC	13.8	25	920	7600
	109PV4040	KHD0-125A/700VDCDIN0gR63KA	125A	700VDC	16.5	30	1660	12300
	109PV4041	KHD0-160A/700VDCDIN0gR63KA	160A	700VDC	19.8	36	2800	19500
DIN1	109PV4801	KHD1-50A/700VDC DIN1gR63KA	50A	700VDC	5.6	11	159	1431
	109PV4802	KHD1-63A/700VDC DIN1gR63KA	63A	700VDC	6.1	12	467	4203
	109PV4803	KHD1-80A/700VDC DIN1gR63KA	80A	700VDC	7.9	15.5	638	4742
	109PV4804	KHD1-100A/700VDC DIN1gR63KA	100A	700VDC	9.2	16.5	1300	5100
	109PV4805	KHD1-125A/700VDC DIN1gR63KA	125A	700VDC	18	35	2547	5623
	109PV4806	KHD1-160A/700VDC DIN1gR63KA	160A	700VDC	19	38	2800	6200
	109PV4807	KHD1-200A/700VDC DIN1gR63KA	200A	700VDC	21	42	5000	29500
	109PV4808	KHD1-250A/700VDC DIN1gR63KA	250A	700VDC	24	48	9500	56000
DIN2	109PV5801	KHD2-200A/700VDC DIN2gR63KA	200A	700VDC	23	45	4200	25000
	109PV5802	KHD2-250A/700VDC DIN2gR63KA	250A	700VDC	25	50	8500	50000
	109PV5803	KHD2-315A/700VDC DIN2gR63KA	315A	700VDC	29	57	17000	100000
	109PV5804	KHD2-350A/700VDC DIN2gR63KA	350A	700VDC	30	60	23000	140000
	109PV5805	KHD2-400A/700VDC DIN2gR63KA	400A	700VDC	33	65	34000	200000
	109PV5806	KHD2-450A/700VDC DIN2gR63KA	450A	700VDC	35	70	47000	280000
	109PV5807	KHD2-500A/700VDC DIN2gR63KA	500A	700VDC	36	72	68000	400000
	109PV5808	KHD2-500A/700VDC DIN2gR63KA	550A	700VDC	39	78	84000	495000
	109PV5809	KHD2-630A/700VDC DIN2gR63KA	630A	700VDC	41	86	124000	730000
	109PV5810	KHD2-700A/700VDC DIN2gR63KA	700A	700VDC	48	95	155000	910000
DIN3	109PV6801	KHD3-315A/700VDC DIN3gR63KA	315A	700VDC	34	67	12000	69000
	109PV6802	KHD3-350A/700VDC DIN3gR63KA	350A	700VDC	35	69	17000	100000
	109PV6803	KHD3-400A/700VDC DIN3gR63KA	400A	700VDC	37	73	27000	160000
	109PV6804	KHD3-450A/700VDC DIN3gR63KA	450A	700VDC	41	82	34000	200000

DIN 43 620 Full Range (gR)全范围保护 Voltage电压等级: 700VDC 电流范围: from 16A to 1600A

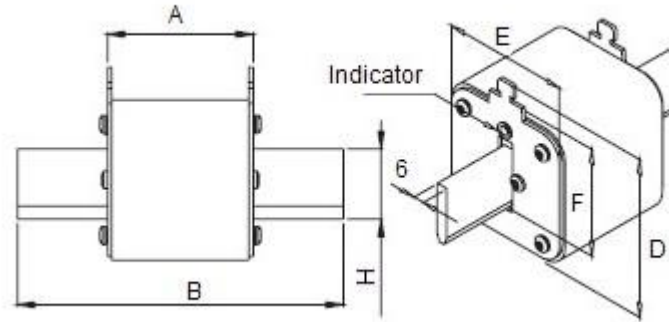
Size 瓷管 代号	Catalog Numbers 订货号	Designation Type 型号规格	Ampere 电流 (A)	Voltage 电压 DC (V)	Watts Loss (W) 功耗		熔断 I <sup>2</sup> t(A <sup>2</sup> S)	
					0.8I <sub>n</sub>	I <sub>n</sub>	Pre-arcing 弧前 I <sup>2</sup> t-value	Total 熔断 I <sup>2</sup> t-value
DIN3	109PV6805	KHD3-500A/700VDC DIN3gR63KA	500A	700VDC	43	86	47000	280000
	109PV6806	KHD3-550A/700VDC DIN3gR63KA	550A	700VDC	44	87	68000	400000
	109PV6807	KHD3-630A/700VDC DIN3gR63KA	630A	700VDC	47	94	102000	600000
	109PV6808	KHD3-700A/700VDC DIN3gR63KA	700A	700VDC	50	100	139000	820000
	109PV6809	KHD3-800A/700VDC DIN3gR63KA	800A	700VDC	52	104	227000	1330000
	109PV6810	KHD3-900A/700VDC DIN3gR63KA	900A	700VDC	60	119	280000	1640000
	109PV6811	KHD3-1000A/700VDC DIN3gR63KA	1000A	700VDC	64	127	385000	2270000
DIN4	109PV9801	KHD4-500A/700VDC DIN4 gR63KA	500A	700VDC	55	99	37000	210000
	109PV9802	KHD4-550A/700VDC DIN4 gR63KA	550A	700VDC	57	103	56000	350000
	109PV9803	KHD4-630A/700VDC DIN4 gR63KA	630A	700VDC	60	109	98000	550000
	109PV9804	KHD4-700A/700VDC DIN4 gR63KA	700A	700VDC	62	110	109000	710000
	109PV9805	KHD4-800A/700VDC DIN4 gR63KA	800A	700VDC	64	116	206000	870000
	109PV9806	KHD4-1000A/700VDC DIN4 gR63KA	1000A	700VDC	75	137	305000	1040000
	109PV9807	KHD4-1250A/700VDC DIN4 gR63KA	1250A	700VDC	87	158	420000	1350000
	109PV9808	KHD4-1400A/700VDC DIN4 gR63KA	1400A	700VDC	98	198	549000	1550000
	109PV9809	KHD4-1500A/700VDC DIN4 gR63KA	1500A	700VDC	105	202	670000	1980000
	109PV9810	KHD4-1600A/700VDC DIN4 gR63KA	1600A	700VDC	118	208	789000	2450000
DIN4a	109PV10201	KHD4a-500A/700VDC DIN4 gR63KA	500A	700VDC	55	99	37000	210000
	109PV10202	KHD4a-550A/700VDC DIN4 gR63KA	550A	700VDC	57	103	56000	350000
	109PV10203	KHD4a-630A/700VDC DIN4 gR63KA	630A	700VDC	60	109	98000	550000
	109PV10204	KHD4a-700A/700VDC DIN4 gR63KA	700A	700VDC	62	110	109000	710000
	109PV10205	KHD4a-800A/700VDC DIN4 gR63KA	800A	700VDC	64	116	206000	870000
	109PV10206	KHD4a-1000A/700VDC DIN4 gR63KA	1000A	700VDC	75	137	305000	1040000
	109PV10207	KHD4a-1250A/700VDC DIN4 gR63KA	1250A	700VDC	87	158	420000	1350000
	109PV10208	KHD4a-1400A/700VDC DIN4 gR63KA	1400A	700VDC	98	198	549000	1550000
	109PV10209	KHD4a-1500A/700VDC DIN4 gR63KA	1500A	700VDC	105	202	670000	1980000
	109PV10210	KHD4a-1600A/700VDC DIN4 gR63KA	1600A	700VDC	118	208	789000	2450000

Breaking Capacity 分断能力 (KA) @ 700 VDC=63KA L/R = 15 ms



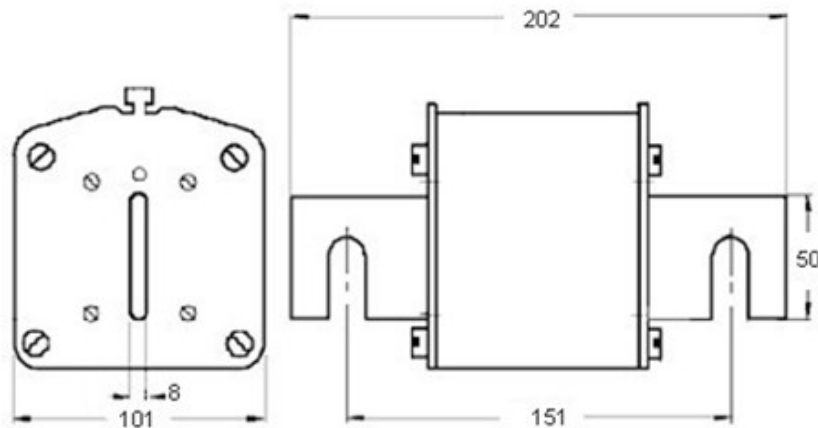
DIN 43 620 Full Range (gR)全范围保护 Voltage电压等级: 700VDC电流范围: from 16A to 1600A

Dimensions安装尺寸图 (mm) :



Type: DIN0、DIN1、DIN2、DIN3、DIN4a 尺寸示意图						
size	A	B	D	E	F	H
DIN0	68	125	58	30	32	15
DIN1	68	135	66	52	40	20
DIN2	68	150	74	60	48	25
DIN3	68	150	89	75	60	32
DIN4a	90	201	122	101	98	50

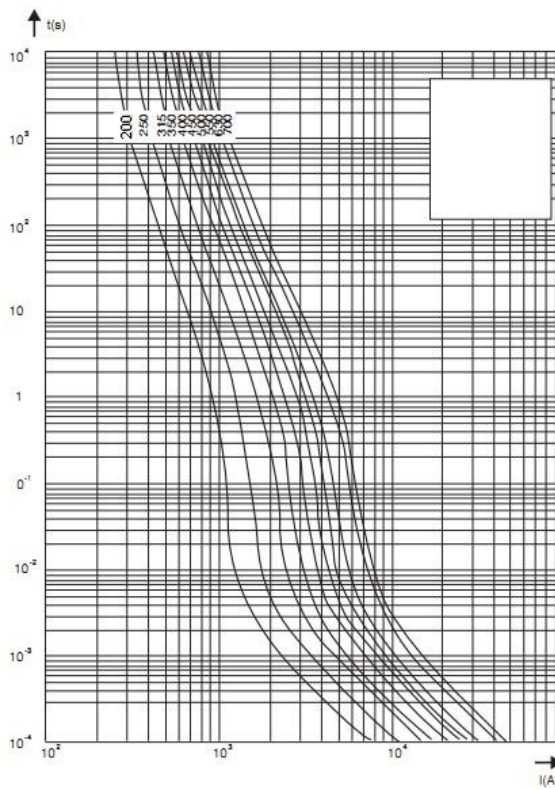
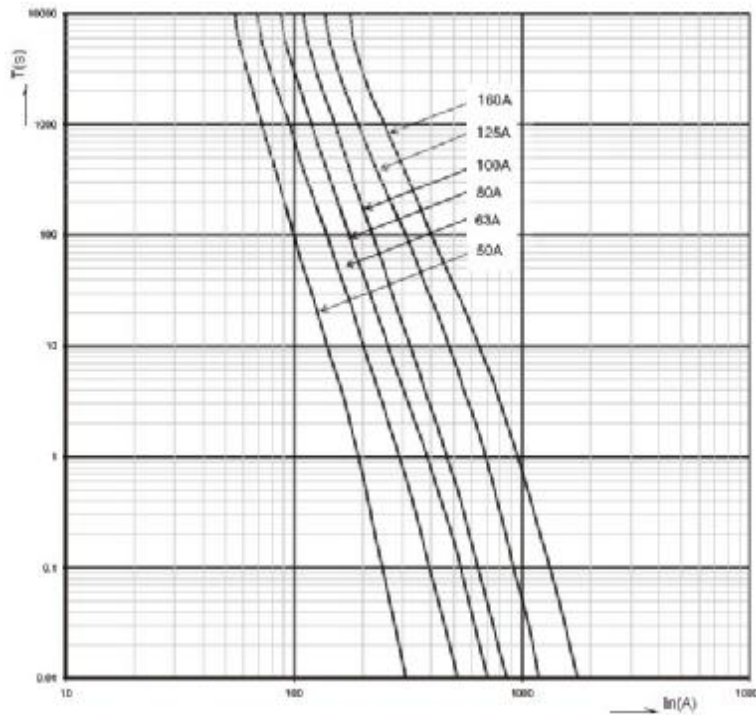
Dimensions安装尺寸图 (mm) : DIN4a



DIN4 Fuse link 熔体

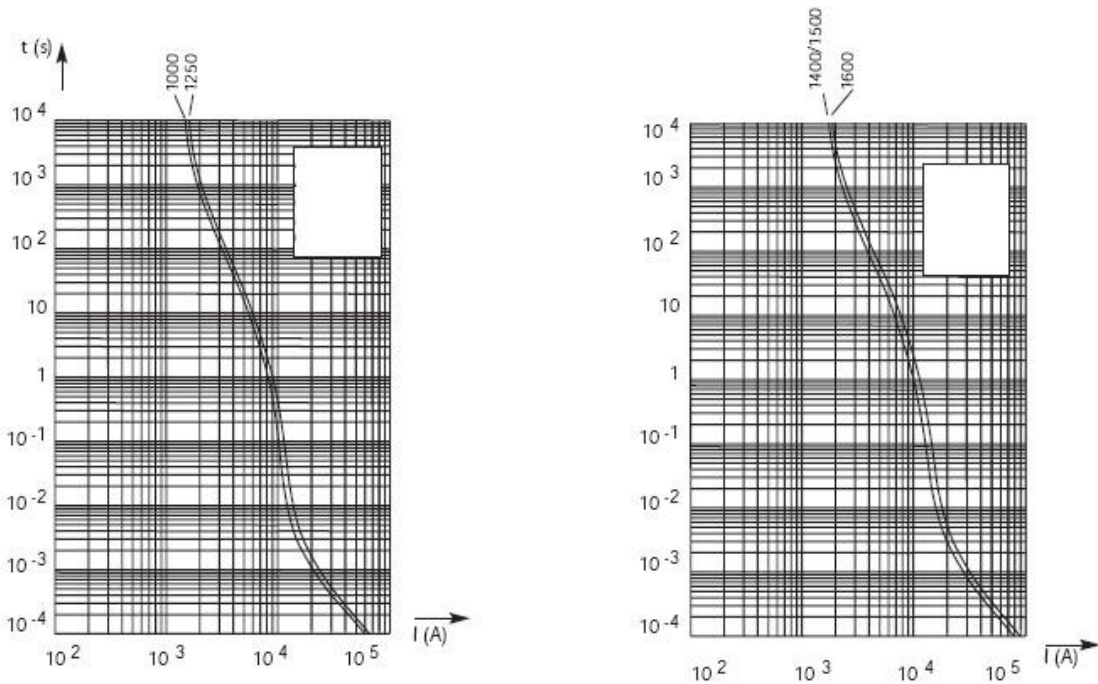
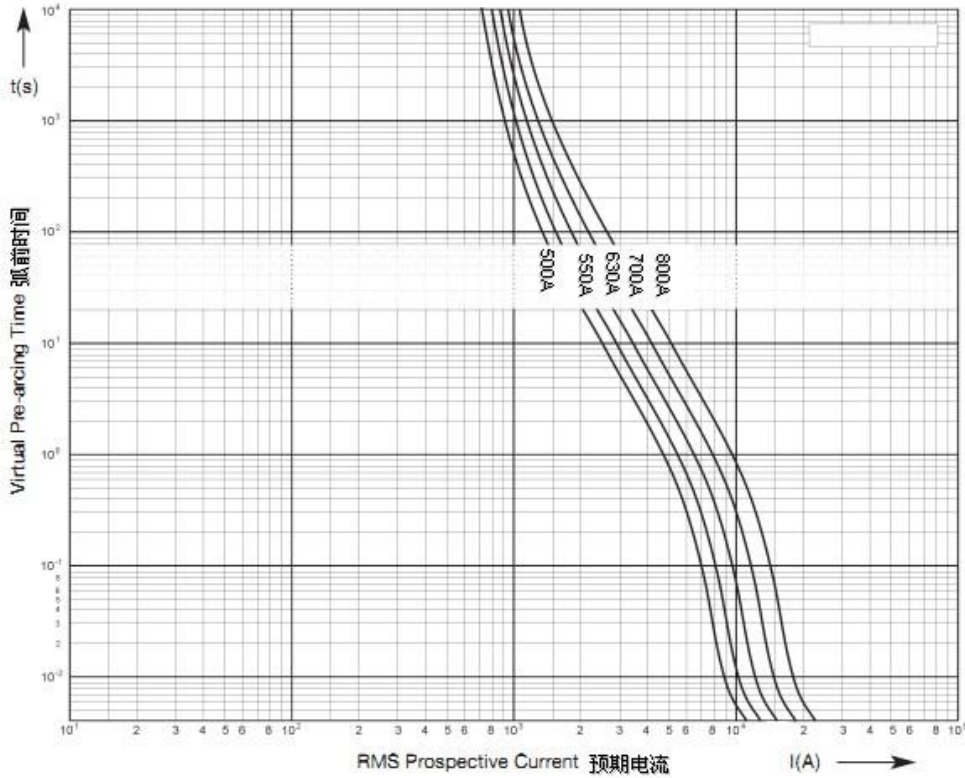
DIN 43 620 Full Range (gR)全范围保护 Voltage电压等级: 700VDC 电流范围: from 16A to 1600A

Time vs. current characteristics 电流特性曲线:



DIN 43 620 Full Range (gR)全范围保护 Voltage电压等级: 700VDC 电流范围: from 16A to 1600A

Time vs. current characteristics 电流特性曲线:



Above: Curves indicate, for each rated current, pre-arcing time vs. R.M.S. pre-arcing current.